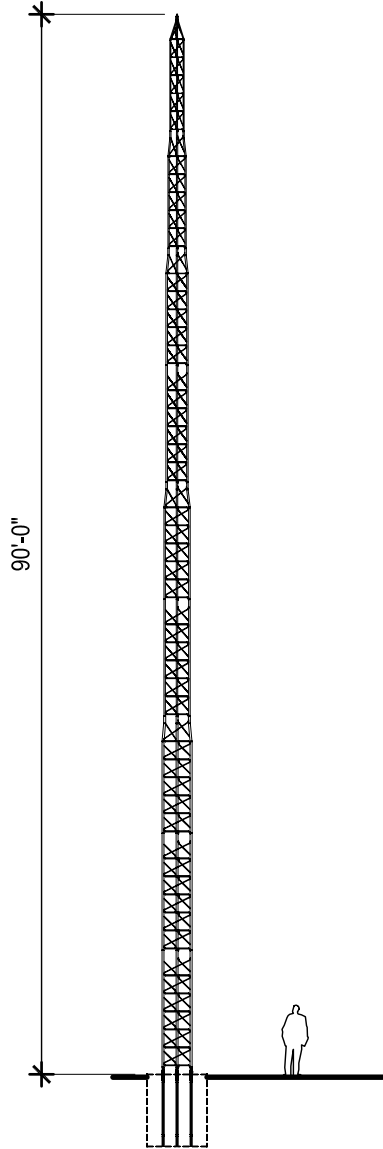


FREESTANDING ALUMINUM TOWER

MODEL #HD 11-90

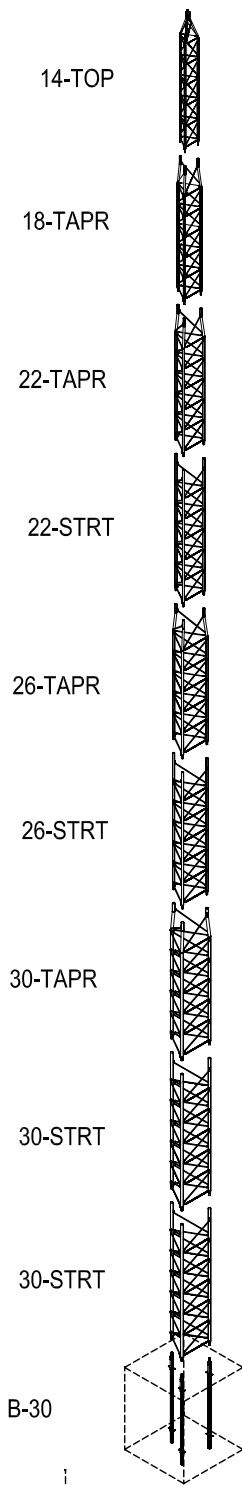


TOTAL WEIGHT: 403 LBS.

WIND LOADING:
10.79 Sq. Ft.

Contact Universal Towers to confirm
geographical location of your tower and
all wind load implications

WARRANTY
UNIVERSAL TOWERS ARE WARRANTED AGAINST DEFECTIVE
MATERIAL OR WORKMANSHIP AND ARE SUBJECT TO REPAIR OR TO
MATERIAL REPLACEMENT ONLY IF FAILURE RESULTS FROM THESE
FACTORS WITHIN ONE YEAR FROM PURCHASE BY USER.
THIS WARRANTY DOES NOT EXTEND TO ANY OF OUR PRODUCTS
WHICH HAVE BEEN SUBJECTED TO MISUSE, NEGLIGENCE, ACCIDENT,
IMPROPER INSTALLATION OR APPLICATION, NOR SHALL IT EXTEND TO
UNITS WHICH HAVE BEEN REPAIRED OR SUBSTANTIALLY ALTERED
OUTSIDE OF OUR FACTORY. THIS WARRANTY IS IN LIEU OF ALL
OTHER WARRANTIES EXPRESSED OR IMPLIED.



ELEVATION 2
SCALE: 1/16"=1'=0"

ISOMETRIC 1
SCALE: N.T.S.

ALUMINUM TOWER

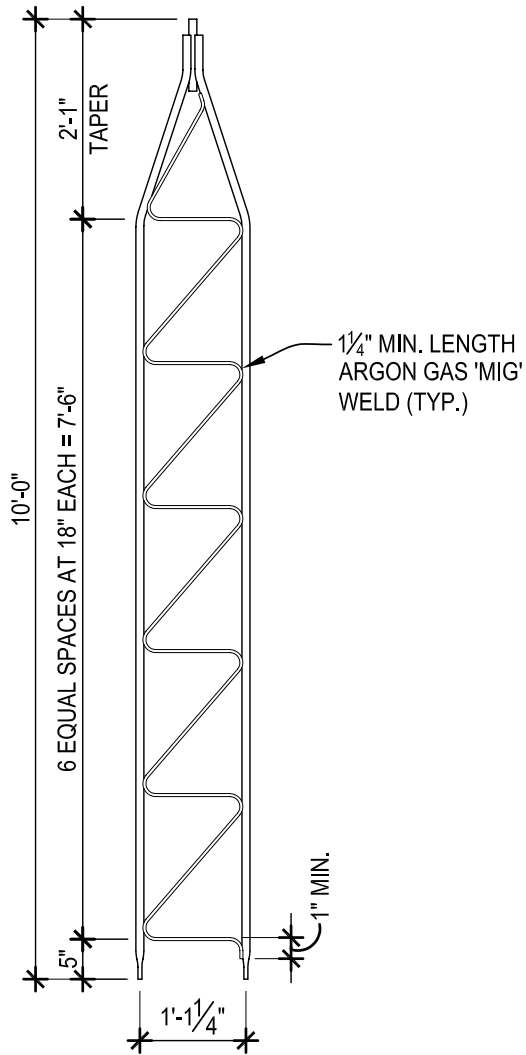


UNIVERSAL TOWERS
A DIVISION OF
UNIVERSAL MANUFACTURING CORP.
43900 GROESBECK HWY.
CLINTON TOWNSHIP, MI 48036
PH: (586) 463-2560
FAX: (586) 463-2964

JOB NO.:

COMPONENT:

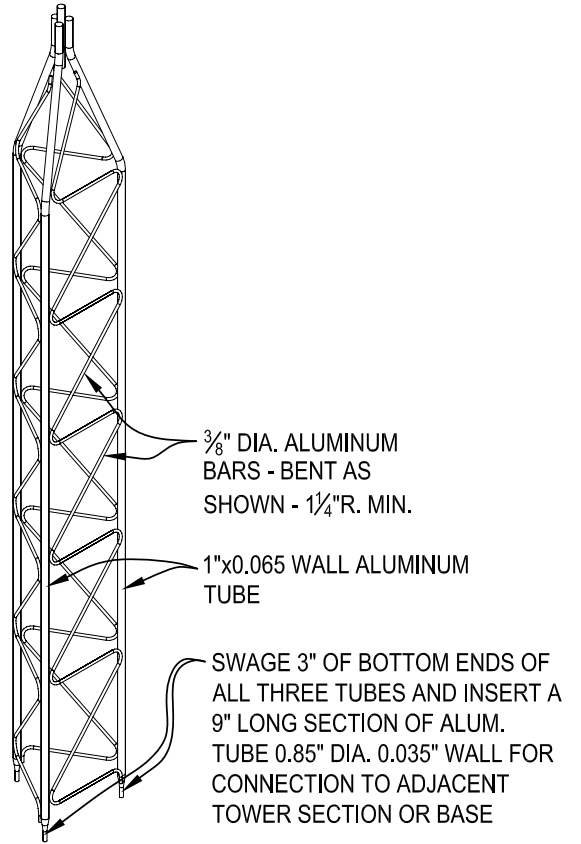
HD 11-90



ELEVATION

SCALE: 1/2"=1'-0"

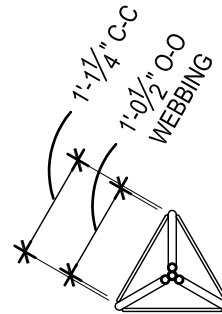
2



ISOMETRIC

SCALE: N.T.S.

3



PLAN VIEW

SCALE: 1/2"=1'-0"

1

TOP SECTION

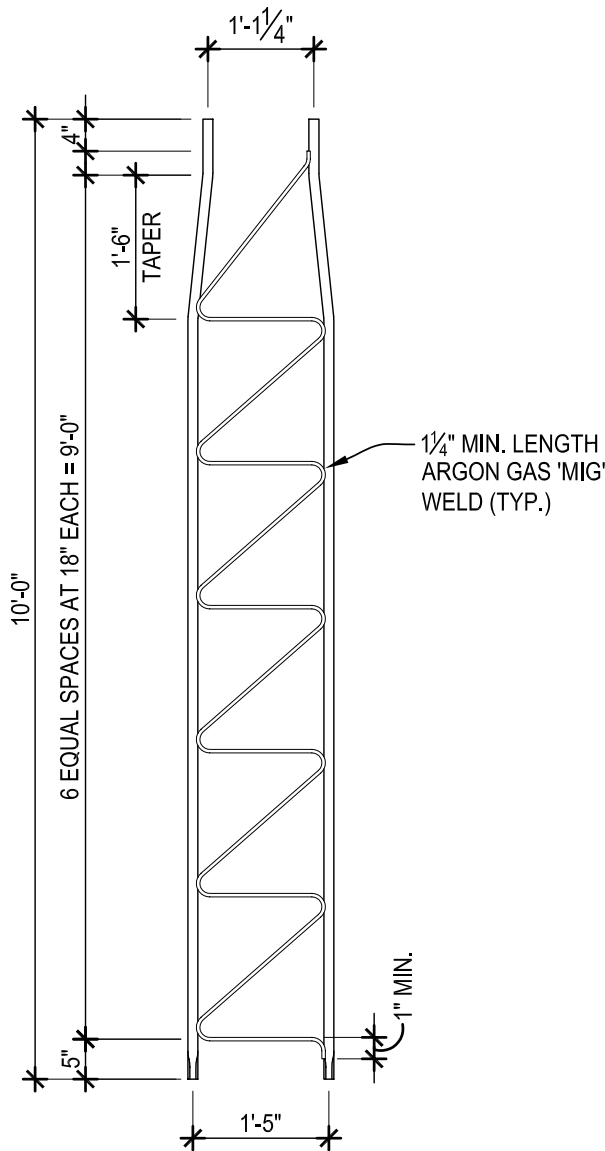


UNIVERSAL TOWERS
 A DIVISION OF
 UNIVERSAL MANUFACTURING CORP.
 43900 GROESBECK HWY.
 CLINTON TOWNSHIP, MI 48036
 PH: (586) 463-2560
 FAX: (586) 463-2964

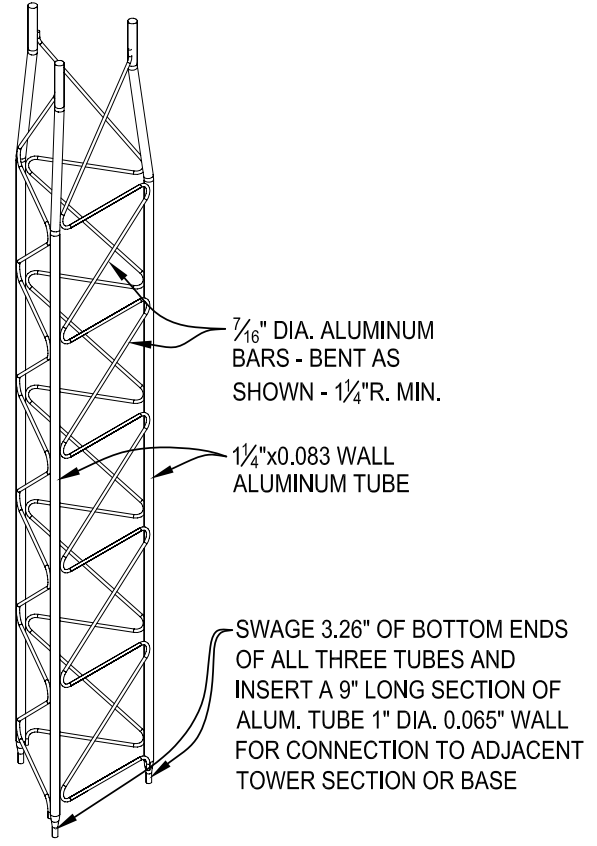
JOB NO.:

COMPONENT:

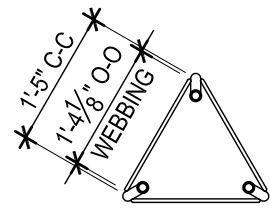
14-TOP



ELEVATION 2
SCALE: 1/2"=1'-0"



ISOMETRIC 3
SCALE: N.T.S.



PLAN VIEW 1
SCALE: 1/2"=1'-0"

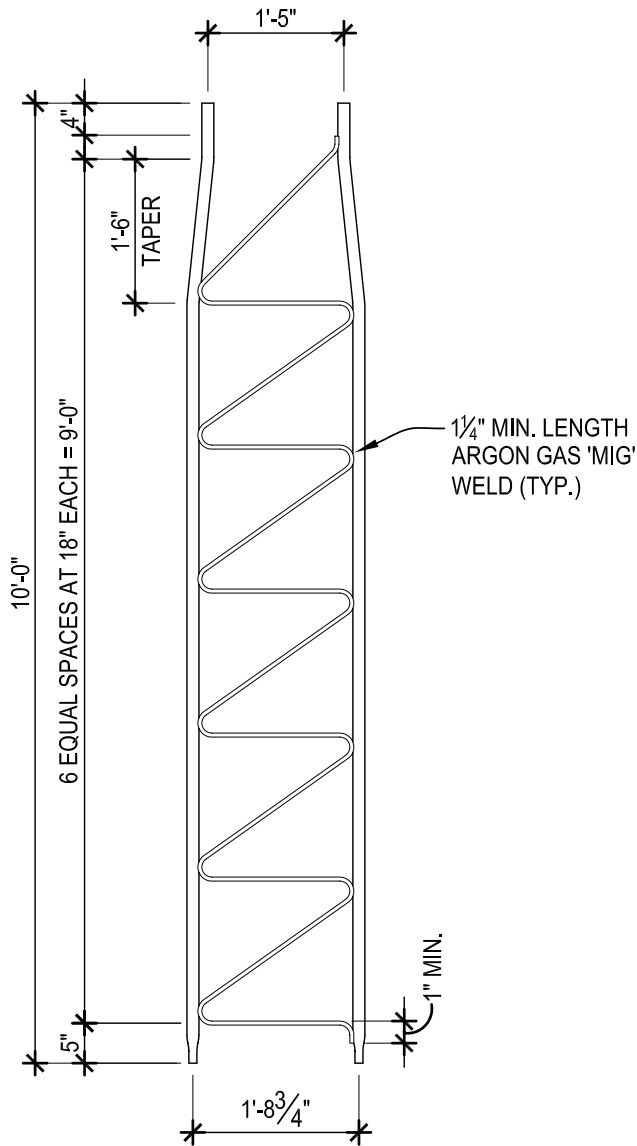
TAPERED SECTION



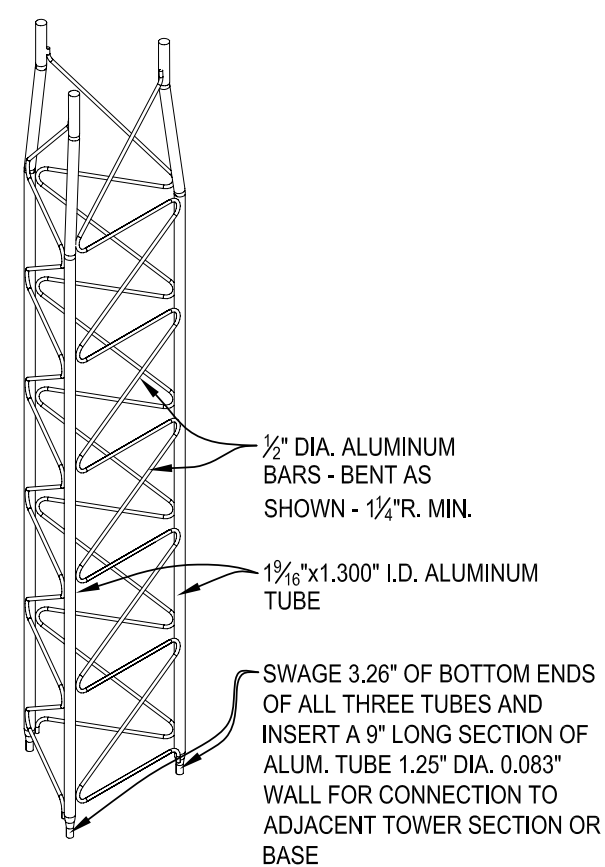
UNIVERSAL TOWERS
A DIVISION OF
UNIVERSAL MANUFACTURING CORP.
43900 GROESBECK HWY.
CLINTON TOWNSHIP, MI 48036
PH: (586) 463-2560
FAX: (586) 463-2964

JOB NO.:

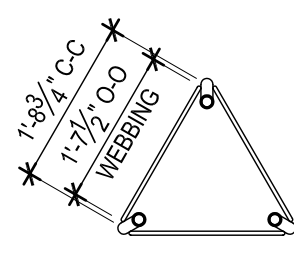
COMPONENT:
18-TAPR



ELEVATION 2
 SCALE: 1/2"=1'-0"



ISOMETRIC 3
 SCALE: N.T.S.



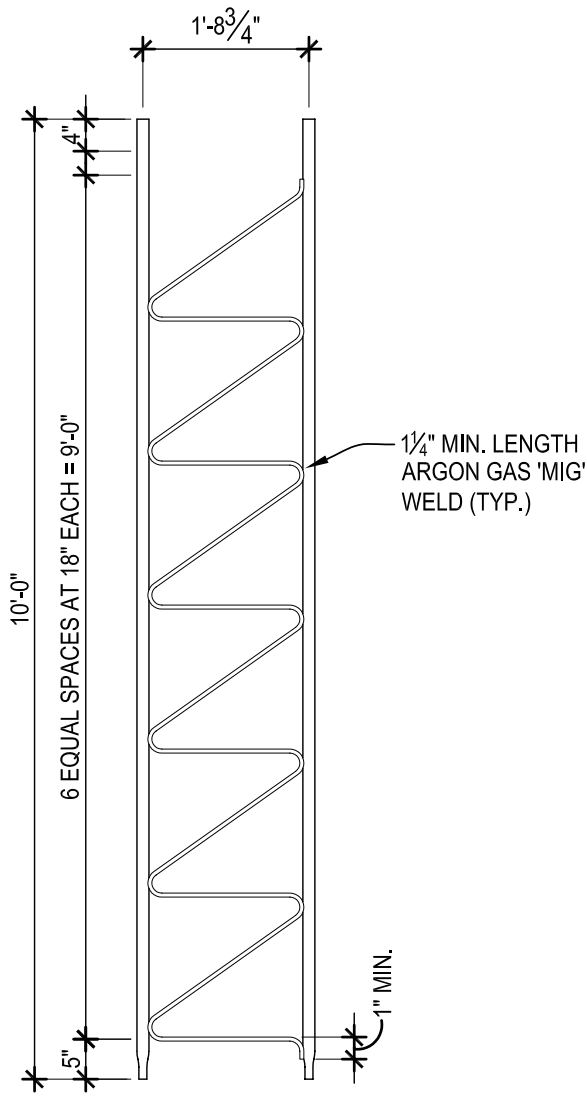
PLAN VIEW 1
 SCALE: 1/2"=1'-0"

TAPERED SECTION



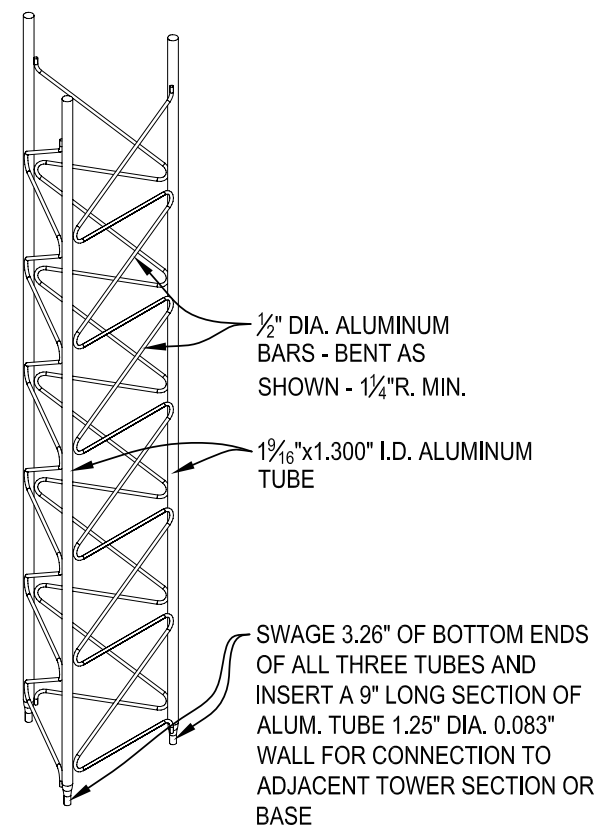
UNIVERSAL TOWERS
 A DIVISION OF
 UNIVERSAL MANUFACTURING CORP.
 43900 GROESBECK HWY.
 CLINTON TOWNSHIP, MI 48036
 PH: (586) 463-2560
 FAX: (586) 463-2964

JOB NO.:
 COMPONENT:
22-TAPR



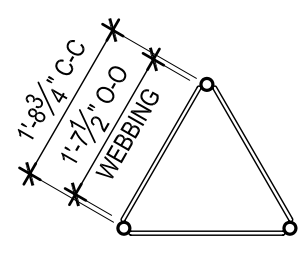
ELEVATION 2

SCALE: 1/2"=1'-0"



ISOMETRIC 3

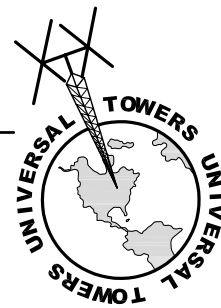
SCALE: N.T.S.



PLAN VIEW 1

SCALE: 1/2"=1'-0"

STRAIGHT SECTION

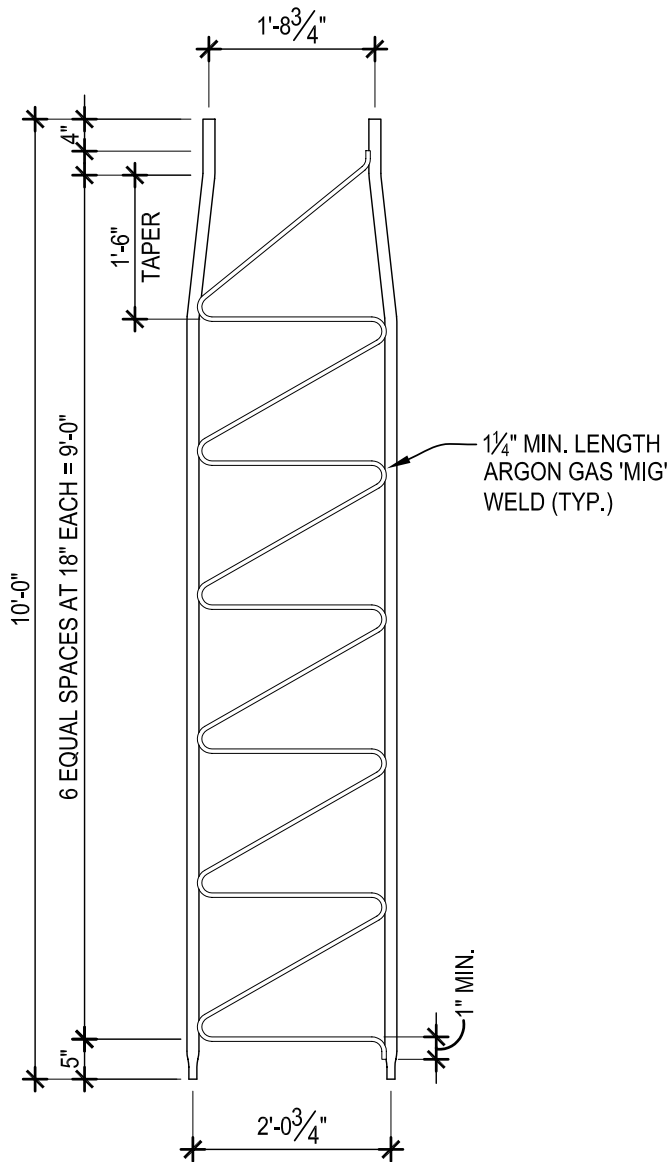


UNIVERSAL TOWERS
 A DIVISION OF
 UNIVERSAL MANUFACTURING CORP.
 43900 GROESBECK HWY.
 CLINTON TOWNSHIP, MI 48036
 PH: (586) 463-2560
 FAX: (586) 463-2964

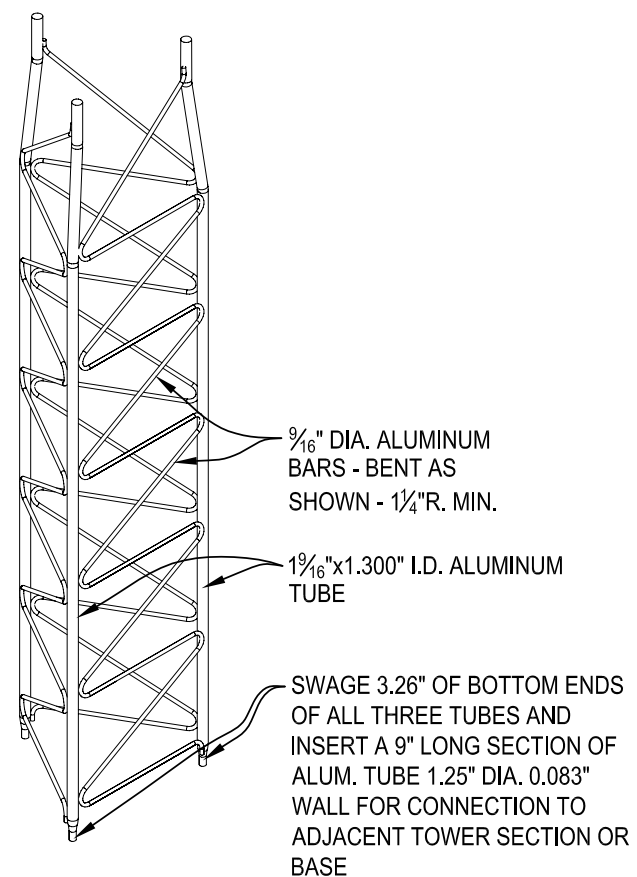
JOB NO.:

COMPONENT:

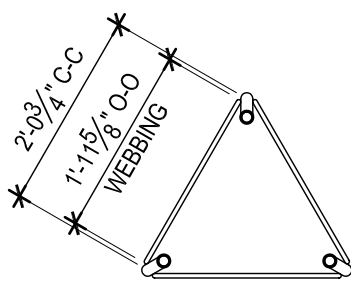
22-STRT



ELEVATION 2
 SCALE: 1/2"=1'-0"



ISOMETRIC 3
 SCALE: N.T.S.



PLAN VIEW 1
 SCALE: 1/2"=1'-0"

TAPERED SECTION

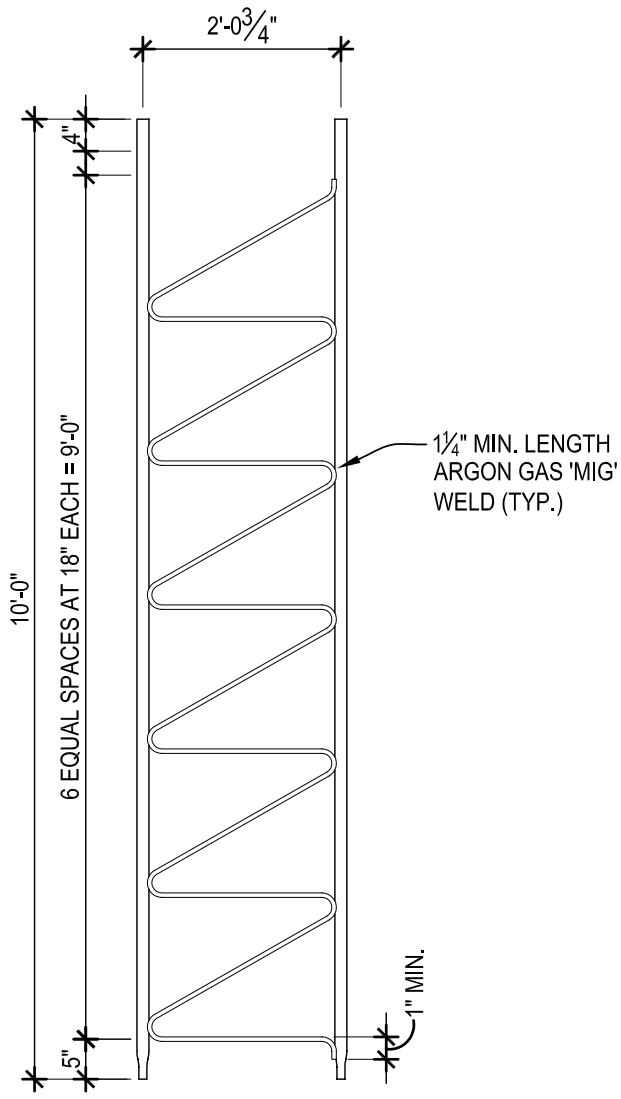


UNIVERSAL TOWERS
 A DIVISION OF
 UNIVERSAL MANUFACTURING CORP.
 43900 GROESBECK HWY.
 CLINTON TOWNSHIP, MI 48036
 PH: (586) 463-2560
 FAX: (586) 463-2964

JOB NO.:

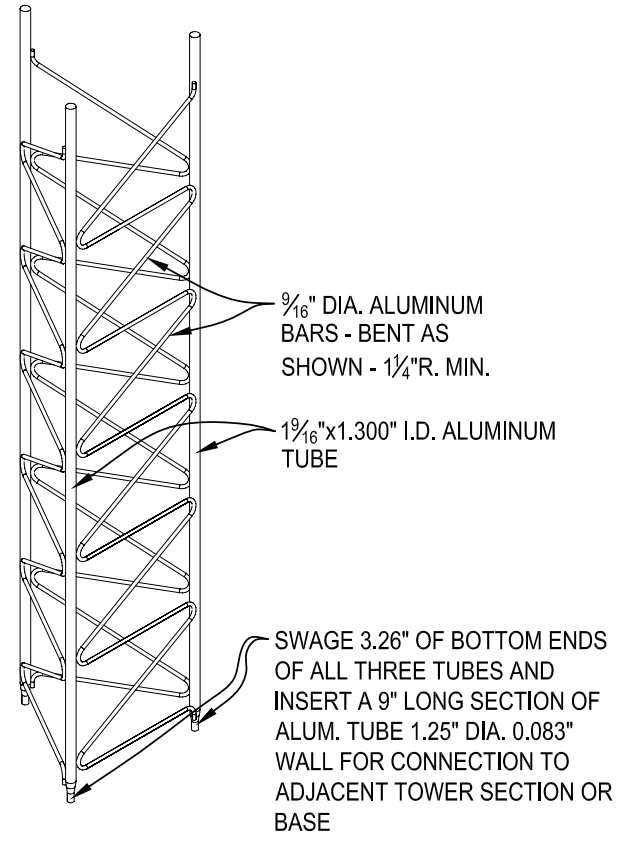
COMPONENT:

26-TAPR



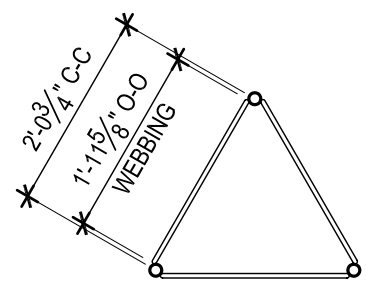
ELEVATION 2

SCALE: 1/2"=1'-0"



ISOMETRIC 3

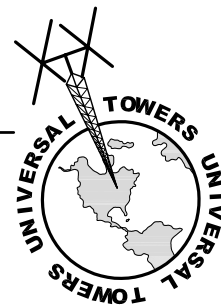
SCALE: N.T.S.



PLAN VIEW 1

SCALE: 1/2"=1'-0"

STRAIGHT SECTION

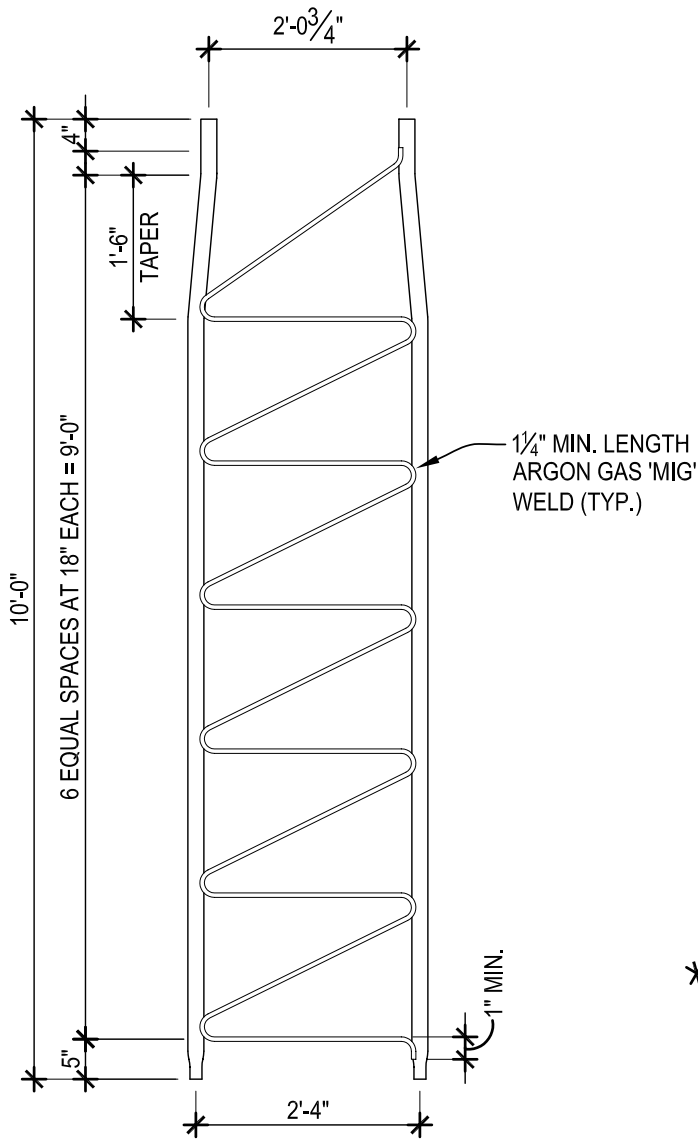


UNIVERSAL TOWERS
 A DIVISION OF
 UNIVERSAL MANUFACTURING CORP.
 43900 GROESBECK HWY.
 CLINTON TOWNSHIP, MI 48036
 PH: (586) 463-2560
 FAX: (586) 463-2964

JOB NO.:

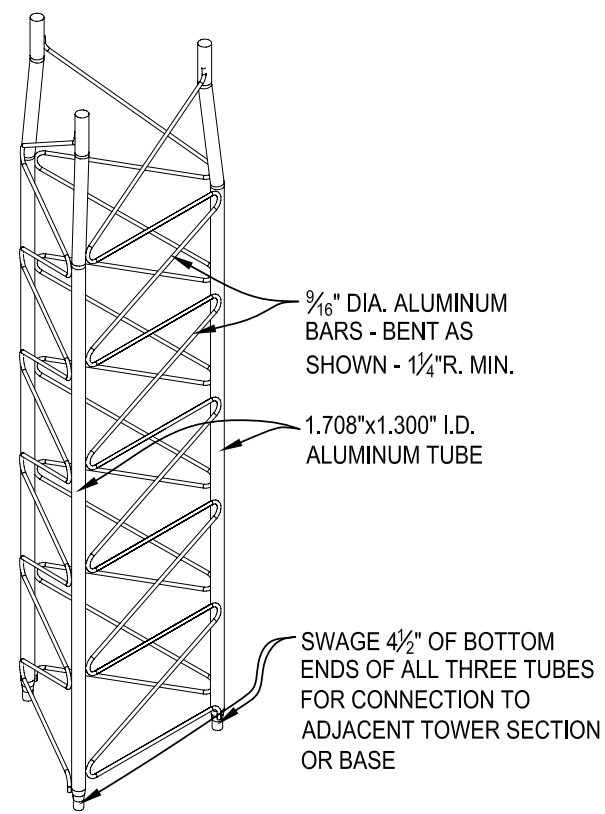
COMPONENT:

26-STRT



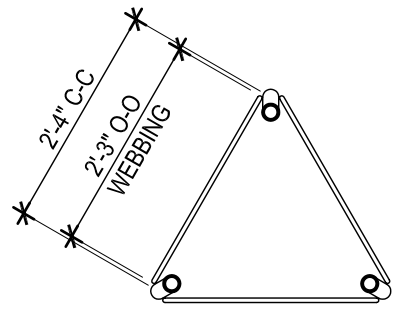
ELEVATION 2

SCALE: 1/2"=1'-0"



ISOMETRIC 3

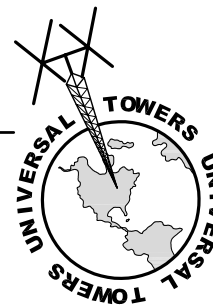
SCALE: N.T.S.



PLAN VIEW 1

SCALE: 1/2"=1'-0"

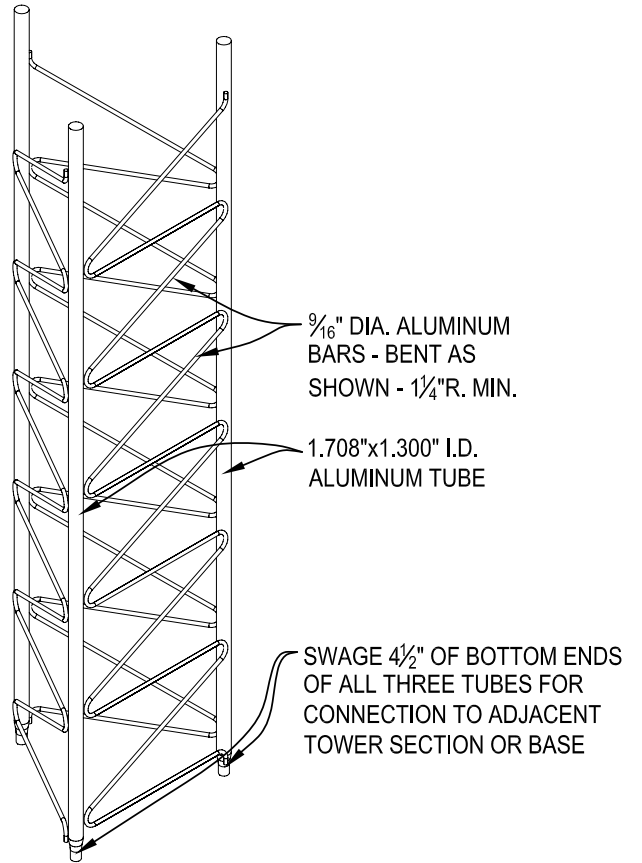
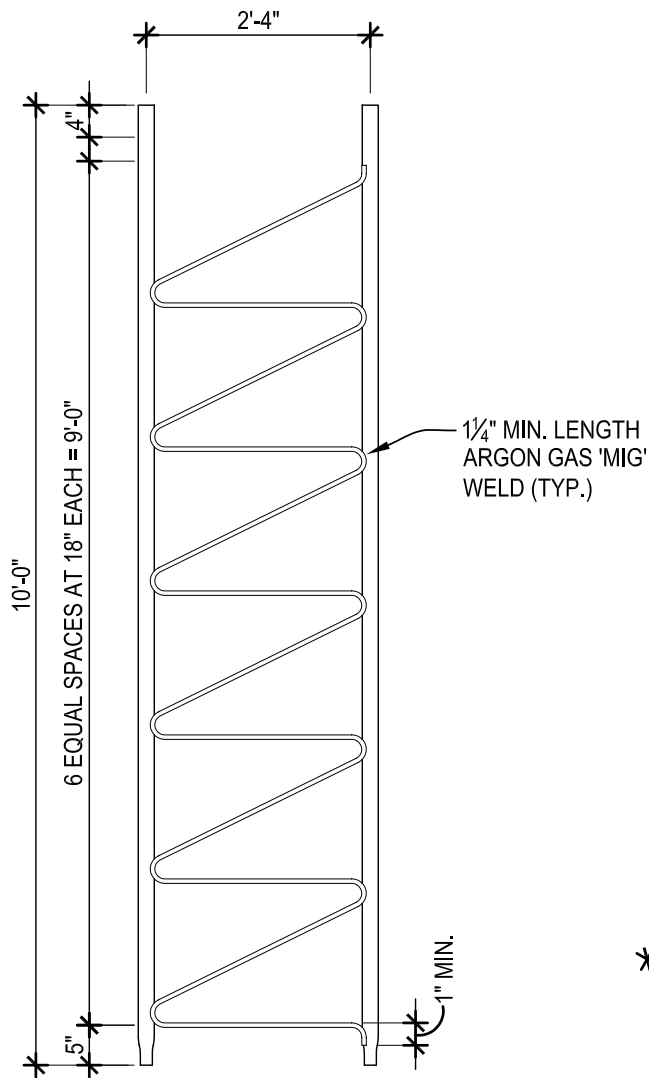
TAPERED SECTION



UNIVERSAL TOWERS
 A DIVISION OF
 UNIVERSAL MANUFACTURING CORP.
 43900 GROESBECK HWY.
 CLINTON TOWNSHIP, MI 48036
 PH: (586) 463-2560
 FAX: (586) 463-2964

JOB NO.:

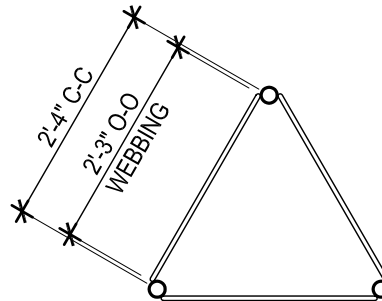
COMPONENT:
30-TAPR



ISOMETRIC

SCALE: N.T.S.

3



ELEVATION

SCALE: 1/2"=1'-0"

2

PLAN VIEW

SCALE: 1/2"=1'-0"

1

STRAIGHT SECTION

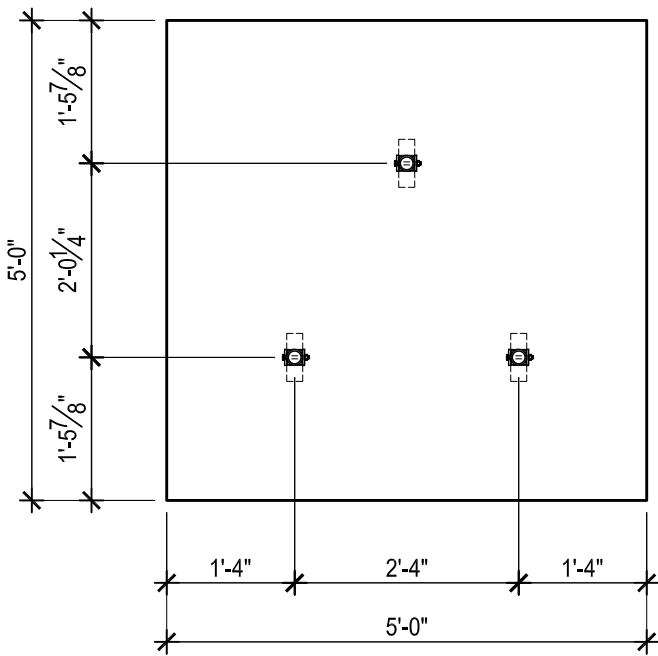


UNIVERSAL TOWERS
 A DIVISION OF
 UNIVERSAL MANUFACTURING CORP.
 43900 GROESBECK HWY.
 CLINTON TOWNSHIP, MI 48036
 PH: (586) 463-2560
 FAX: (586) 463-2964

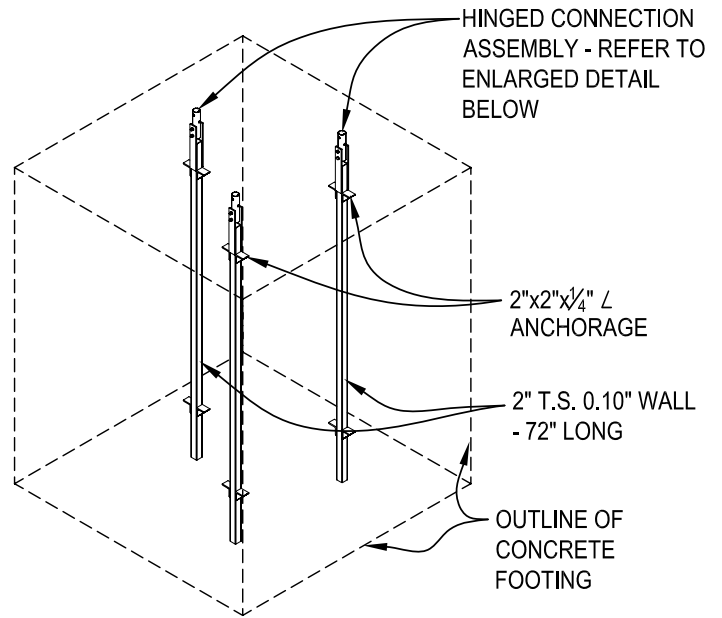
JOB NO.:

COMPONENT:

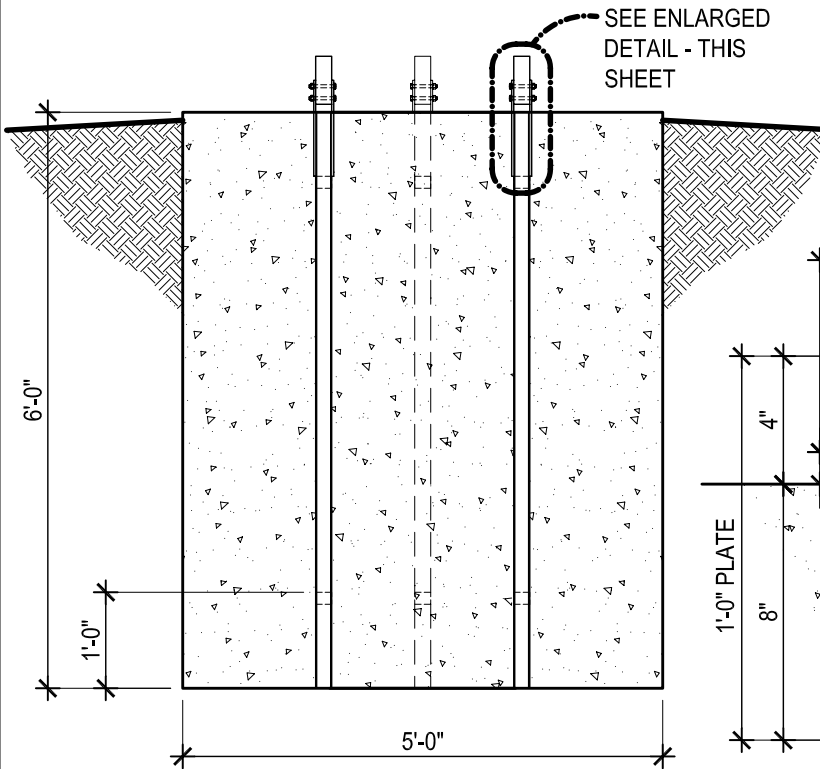
30-STRT



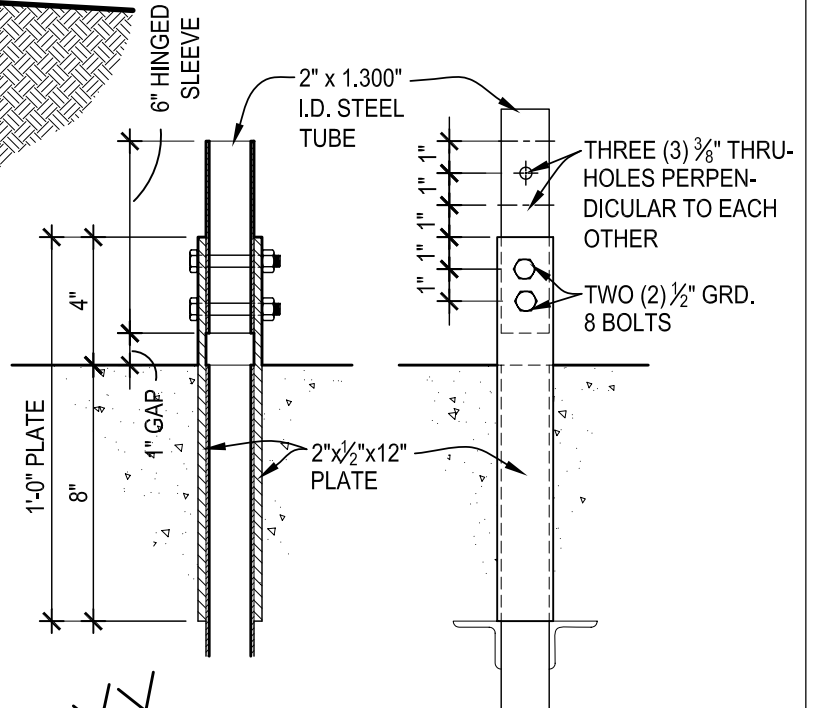
PLAN VIEW 1
SCALE: 1/2"=1'-0"



ISOMETRIC 3
SCALE: N.T.S.



ELEVATION 2
SCALE: 1/2"=1'-0"



NOTE: FOUNDATIONS ARE DESIGNED FOR FIRM BEARING SOIL.

BASE FOOTING



UNIVERSAL TOWERS
A DIVISION OF
UNIVERSAL MANUFACTURING CORP.
43900 GROESBECK HWY.
CLINTON TOWNSHIP, MI 48036
PH: (586) 463-2560
FAX: (586) 463-2964

JOB NO.:

COMPONENT:

B-30