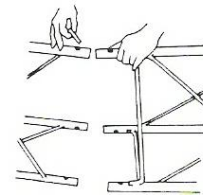
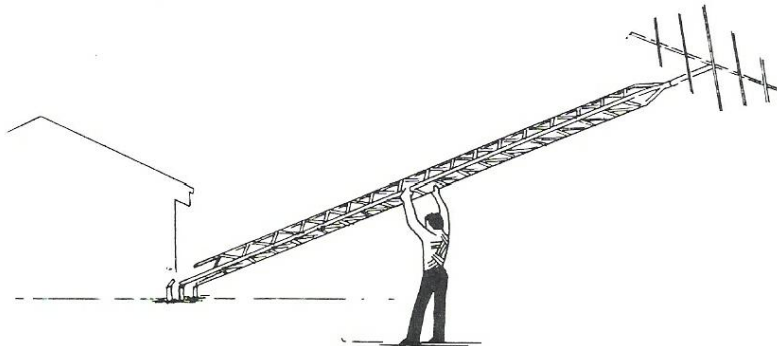
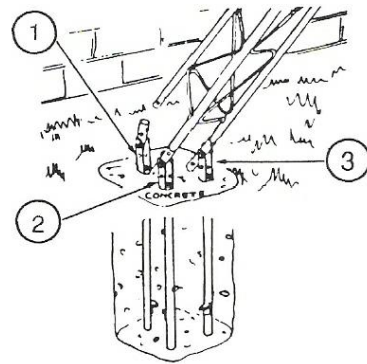


INSTALLATION INSTRUCTIONS FOR TOWER SECTION OF FREESTANDING ALUMINUM TOWER

1. PLACE EACH 10' TOWER SECTION ON THE GROUND, END TO END IN CORRECT ORDER OF ASSEMBLY TAPERING AWAY FROM THE BASE.
2. REMOVE ONE BOLT FROM EACH FRONT LEG AND TWO FROM REAR LEG AS SHOWN. TILT BOTTOM 10' SECTION TO GROUND AND CONNECT REMAINING TOWER SECTIONS INTO THE FINAL ASSEMBLY. ATTACH ALL WIRING AND FIT ANTENNA TO TOWER.
3. WALK THE FULLY ASSEMBLED TOWER UP INTO ITS UPRIGHT POSITION, REPLACING BOLTS IN THE BASE TO SECURE THE TOWER.



WARRANTY

UNIVERSAL TOWERS ARE WARRANTED AGAINST DEFECTIVE MATERIAL OR WORKMANSHIP AND ARE SUBJECT TO REPAIR OR TO MATERIAL REPLACEMENT ONLY IF FAILURE RESULTS FROM THESE FACTORS WITHIN ONE YEAR FROM PURCHASE BY USER.

THIS WARRANTY DOES NOT EXTEND TO ANY OF OUR PRODUCTS WHICH HAVE BEEN SUBJECTED TO MISUSE, NEGLIGENCE, ACCIDENT, IMPROPER INSTALLATION OR APPLICATION, NOR SHALL IT EXTEND TO UNITS WHICH HAVE BEEN REPAIRED OR SUBSTANTIALLY ALTERED OUTSIDE OF OUR FACTORY. THIS WARRANTY IS IN LIEU OF ALL OTHER WARRANTIES EXPRESSED OR IMPLIED.

CAUTION:

ALUMINUM TOWER SECTIONS SHOULD NEVER BE DIRECTLY IN CONCRETE! CORROSIVE EFFECTS OF CEMENT WILL DESTROY ALUMINUM TOWER SECTIONS. USE ONLY UNIVERSAL BASES AS SHOWN. TOWER SECTIONS ALSO REQUIRE DRAINAGE TO MINIMIZE THE POSSIBILITY OF FREEZING AND SPLITTING. UNIVERSAL BASES ALLOW THE TOWER TO DRAIN PROPERLY AND ALLEVIATE THE POSSIBILITY OF DAMAGE. USE OF A UNIVERSAL TOWER WITHOUT THE PROPER BASE VOIDS ALL WARRANTIES.

INSTRUCTIONS

TOWER INSTALLATION



UNIVERSAL TOWERS

A DIVISION OF
UNIVERSAL MANUFACTURING CORP.
43900 GROESBECK HWY.
CLINTON TOWNSHIP, MI 48036
PH: (586) 463-2580
FAX: (586) 463-2964

JOB NO.:

COMPONENT:

I-T