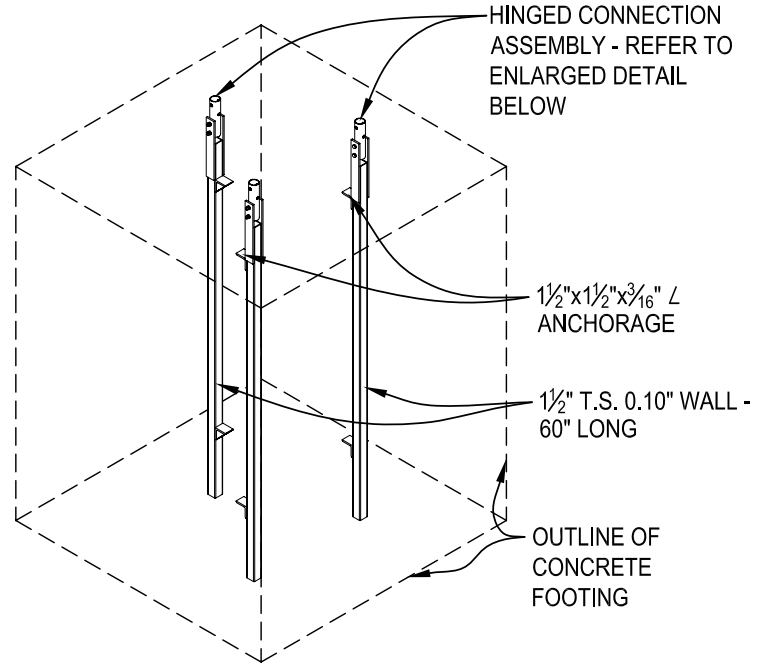


**PLAN VIEW**

SCALE: 1/2"=1'-0"

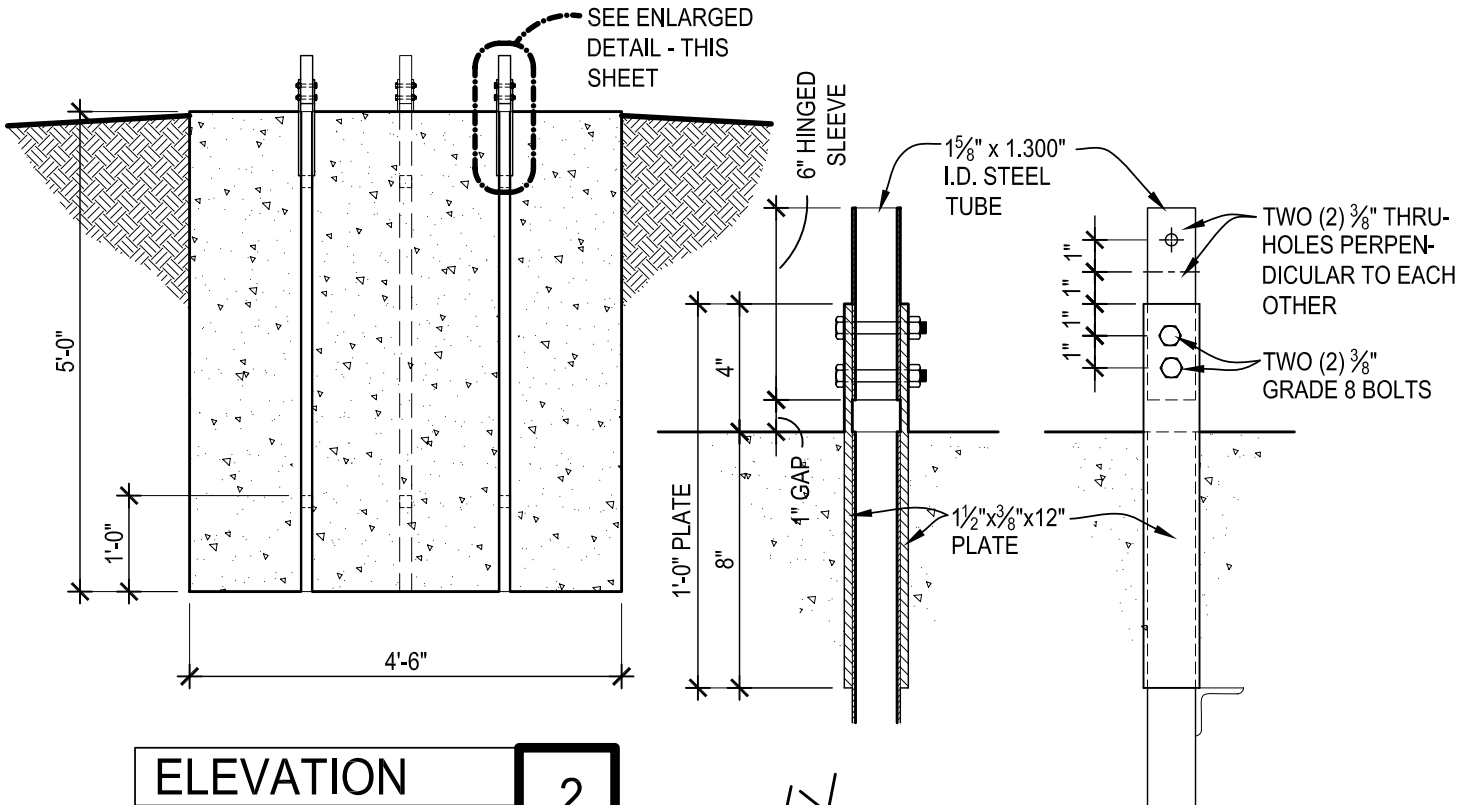
**1**



**ISOMETRIC**

SCALE: N.T.S.

**3**



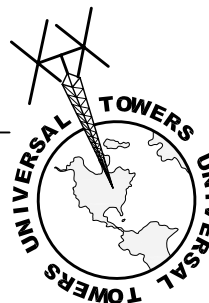
**ELEVATION**

SCALE: 1/2"=1'-0"

**2**

NOTE: FOUNDATIONS ARE DESIGNED FOR FIRM BEARING SOIL.

**BASE FOOTING**



**UNIVERSAL TOWERS**  
 A DIVISION OF  
 UNIVERSAL MANUFACTURING CORP.  
 43900 GROESBECK HWY.  
 CLINTON TOWNSHIP, MI 48036  
 PH: (586) 463-2560  
 FAX: (586) 463-2964

JOB NO.:

COMPONENT:

**B-26**